

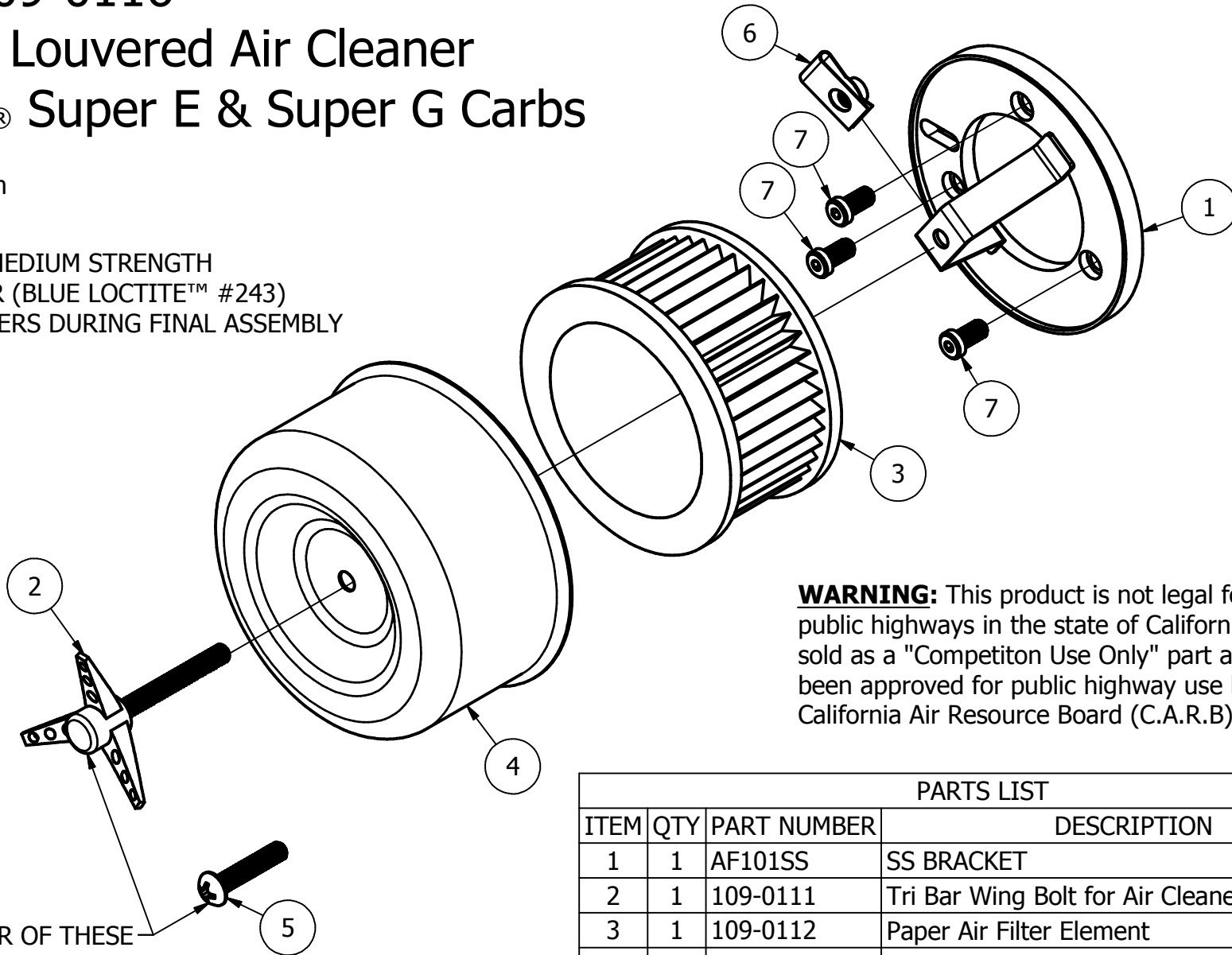
# TC Bros. Choppers

## Part #109-0116

### Chrome Louvered Air Cleaner for S&S® Super E & Super G Carbs

www.tcbros.com

**NOTE:** APPLY MEDIUM STRENGTH  
THREADLOCKER (BLUE LOCTITE™ #243)  
TO ALL FASTENERS DURING FINAL ASSEMBLY



**WARNING:** This product is not legal for use on public highways in the state of California. It is sold as a "Competition Use Only" part and has NOT been approved for public highway use by the California Air Resource Board (C.A.R.B).

EITHER OF THESE  
SCREWS CAN BE  
USED TO ATTACH  
COVER DEPENDING  
ON USER PREFERENCE

PARTS LIST			
ITEM	QTY	PART NUMBER	DESCRIPTION
1	1	AF101SS	SS BRACKET
2	1	109-0111	Tri Bar Wing Bolt for Air Cleaners
3	1	109-0112	Paper Air Filter Element
4	1	109-0113	Chrome Louvered Cover
5	1	119-0211	1/4-20 x 1-1/4 Lg Round Hd Machine Screw
6	1	119-0212	1/4-20 Tapped Hole Steel Clip Nut
7	3	119-0214	1/4-20 x 1/2 Lg Low Head Socket Bolt

For high performance applications use  
TC Bros. **Hi-Flow** washable air filter element.



Part #109-0114

Check out our breather bolts and support bracket as well!



Part #109-0082



Part #109-0083

[www.TCBros.com](http://www.TCBros.com)